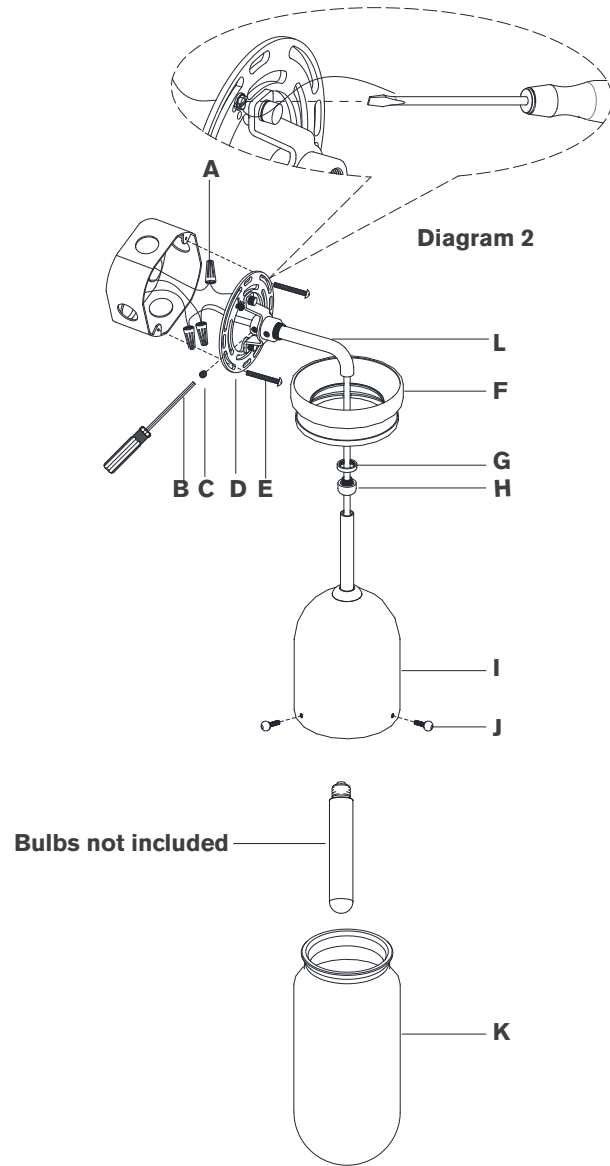


## ASSEMBLY INSTRUCTIONS



### Junio Sconce

Item # TOB2645

#### NOTICE:

This light fixture should be installed in accordance with all applicable, local installation codes, and by a person familiar with the construction and operation of it, as well as the hazards involved. Inspect item and contents carefully. If any damage or defect is found, do not install. Retain all packaging material until installation is complete and approved.

#### TOOLS REQUIRED (NOT INCLUDED):

Phillips Screwdriver

Slotted Screwdriver

1. Carefully remove all parts from the box. Place on a clean, soft surface.
2. Remove back plate (F) from mounting plate (D) by removing collar ring (G).
3. Feed the wires through threaded ring (H), collar ring (G), back plate (F) and rod (L), then secure with set screws (C) using provided wrench (B).

**NOTE:** Slide packaging up cord for light head inspection, then slide back down and leave in place until installation is complete. See diagram 1.

4. Cut excess wires, being sure to leave enough to reach the junction box. Separate wires, and strip insulation on each 5/8".

**NOTE:** Confirm fixture height is accurate before cutting wires.

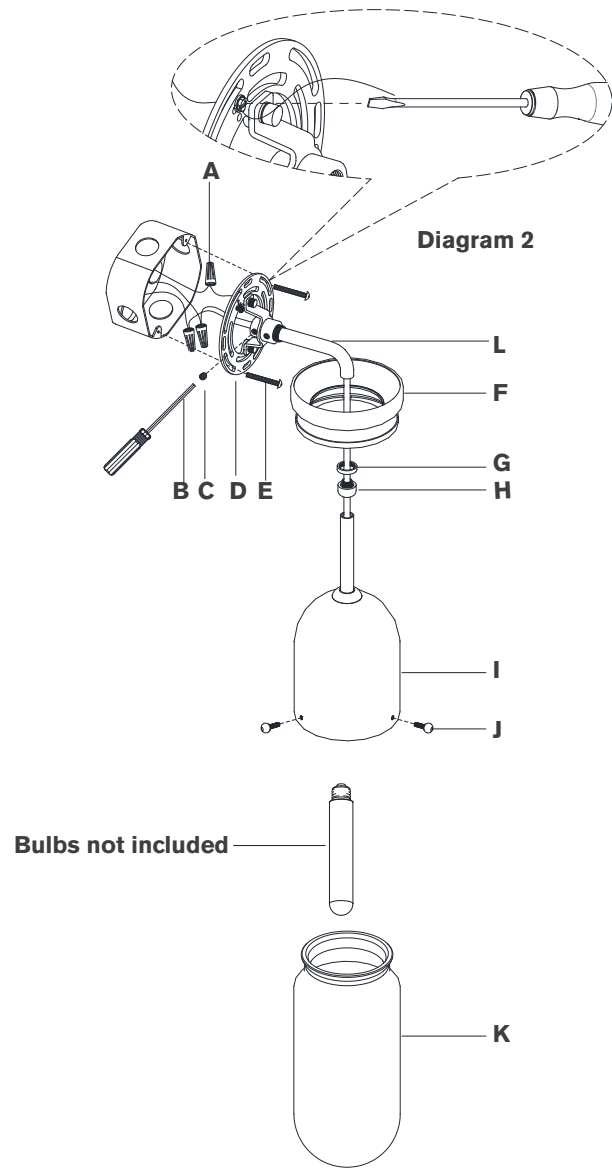
5. Wrap fixture ground wire (green) around the green grounding screw (see diagram 2). Tighten. Continue fixture ground wire and connect to supply ground wire (usually green or bare copper) using wire nut (A).

**NOTE:** It is imperative that the fixture is grounded.

6. Connect fixture neutral wire (white) to the supply neutral wire (usually white) using wire nut (A).
7. Connect fixture hot wire (black) to the supply hot wire (usually black) using wire nut (A).

**CAUTION:** Do not reverse the hot and neutral connections.

## ASSEMBLY INSTRUCTIONS



### Junio Sconce

Item # TOB2645

#### NOTICE:

This light fixture should be installed in accordance with all applicable, local installation codes, and by a person familiar with the construction and operation of it, as well as the hazards involved. Inspect item and contents carefully. If any damage or defect is found, do not install. Retain all packaging material until installation is complete and approved.

8. Make sure all wire connections are tight, then carefully tuck into the junction box.
9. Install mounting plate **(D)** to junction box and secure with mounting screws **(E)**.
10. Install back plate **(F)** to mounting plate **(D)** and secure with collar ring **(G)**.
11. Thread threaded ring **(H)** to rod **(L)**.
12. Install light bulb into the socket.
13. Install glass shade **(K)** to fixture body **(I)** and secure with thumbscrews **(J)**.

**NOTE:** Thread thumbscrews **(J)** in evenly to ensure glass is properly secured. Do not overtighten.

**Care Instructions:** Clean only with a soft dry cloth or feather duster. Do not use abrasive or chemical agents.